

INDUSTRIAL DISTRIBUTORS

PerTronix is the leading producer of electronic distributors for gas, propane and LP powered industrial engines. Many Wisconsin and Continental engines are equipped with our industrial distributors from the factory. Proven performance, reduced maintenance downtime, improved economy, faster starts and extended tune-up intervals. Our industrial distributors are also direct replacements for many point type Delco, and Prestolite distributors.



**NEVER
CHANGE
POINTS
AGAIN!**

FEATURES

- Durable yet lightweight housing.
- Integrated Ignitor Electronic technology.
- Superior venting system.
- 'O' ring seal prevents oil leakage.
- Precision engineered module switches 2 times more energy than other electronic ignition system.
- Timing remains constant with an amazing 1/4° accuracy all the way down to zero RPM.
- Effective RPM range of 0 to 6,000.
- Non-tracking cap and rotor.
- Warranty: 30 months Ignitor module / 90 days mechanical.



Year	Cyl	Make / Model / Engine	Part No.
ALLIS CHALMERS			
1969-74	4	All models with clockwise distributor	D41-19A
CONTINENTAL			
All	3	TM-20 engine models	D33-03A
All	4	TM-27 engine models	D43-04B
1940-65	4	F4 Series F124, F4124, F140, F4140, FA140 F162, F4162, FA162	D41-05A
1965-present	4	F4 Series F135, F163	D41-05A
1965-present	4	Y4 Series Y69, Y91, Y112, YA112, IY112, Y4069, Y4091, Y4112	D41-05A
1940-65	6	F6 Series F170, F186, F209, F218, F224, F226, F244, F6170, F6186, F6209, F6226, F6244	D61-06A
1965-present	6	F6 Series F227, F245, F6227	D61-06A
All	4	R engine R08 models	D061601

Distributors for 4 cylinder and 6 cylinder Continental engines replace the original Prestolite and/or Delco-Remy equipment in F4, F6 and Y4 series engines manufactured since 1965 and require no modifications. On engines prior to 1965 some modifications may be necessary.

PERKINS			
1992 prior	4	G4236 engine	D41-20A
WAUKESHA			
1970-92	4	D155G, D176G, VRG220	D41-01A
WISCONSIN			
1955-present	1	Model BKN	D11-18A
1957-present	1	Model AENL	D11-18A
1968-present	2	Model TJD	D21-12A
1980-present	2	Model W2-1230, W2-1235	D21-11A
1980-present	2	Model W2-880	D21-12A
1987-present	2	Model W2-1250	D21-11A
1956-present	4	Model VH4D (side mount)	D41-09B
1956-present	4	Model VH4D (top mount)	D41-10B
1967-present	4	Model V65D (side mount)	D41-09B
1975-present	4	Model W4-1770 (top mount)	D41-10B
1976-present	4	Model W4-1770 (side mount)	D41-09B

INDUSTRIAL DISTRIBUTOR CROSS REFERENCE

**Original
Dist. No.** **PerTronix
Dist. No.**

CLARK

1636495.....D41-01A
2372353.....D41-01A
914528.....D43-04B

COLT

FMD1C7.....D11-18A
FMD2C7.....D21-12A
FMD2C7-B.....D21-11A
FMD4C7.....D41-09B
FMD427A.....D41-10B

CONTINENTAL

F162M-00232.....D41-05A
F162M-00311.....D41-05A
F162M-00315.....D41-05A
F162M-00347.....D41-05A
F162M-00412.....D41-05A
F162M-00446.....D41-05A
F162M-00462.....D41-05A
F162M-00466.....D41-05A
F186M-00202.....D61-06A
F226M-00304.....D61-06A
F226M-00309.....D61-06A
F226M-00404.....D61-06A
F226M-00407.....D61-06A
F226M-00416.....D61-06A
F226M-00421.....D61-06A
F226M-00424.....D61-06A
F226M-00433.....D61-06A
F226M-00436.....D61-06A
F244M-00406.....D61-06A
F244M-00414.....D61-06A
F244M-00523.....D61-06A
F226M-00503.....D61-06A
F400M-00305.....D41-05A
F400M-00307.....D41-05A
F400M-00392.....D41-05A
F400M-00533.....D41-05A
F400M-00411.....D41-05A
F400M-00413.....D41-05A
F400M-00449.....D41-05A
F400M-00466.....D41-05A
F400M-00472.....D41-05A
F400M-00503.....D41-05A
F400M-00507.....D41-05A
F400M-00516.....D41-05A
F400M-00518.....D41-05A
F400M-00521.....D41-05A
F400M-00531.....D41-05A
F400M-00532.....D41-05A
F401M-00405.....D41-05A
F401M-00406.....D41-05A
F600M-00305.....D61-06A
F600M-00314.....D61-06A
F600M-00373.....D61-06A
F600M-00380.....D61-06A
F600M-00405.....D61-06A
F600M-00439.....D61-06A
F600M-00440.....D61-06A
F600M-00449.....D61-06A
F600M-00451.....D61-06A
F600M-00502.....D61-06A
F600M-00508.....D61-06A
F600M-00509.....D61-06A

**Original
Dist. No.** **PerTronix
Dist. No.**

CONTINENTAL

F600M-00510.....D61-06A
F600M-00518.....D61-06A
F600M-00519.....D61-06A
F600M-00525.....D61-06A
TM13M-00501.....D23-02A
TM20M-00500.....D33-03A
TM20M-00501.....D33-03A
TM20M-00503.....D33-03AM
TM27M-00502.....D43-04B
TM27M-00503.....D43-04B
TM27M-00510.....D43-04B
TM27M-00511.....D43-04BM
Y112M-00237.....D41-05A
Y112M-00305.....D41-05A
Y112M-00500.....D41-05A
Y400M-00281.....D41-05A
Y112M-00311.....D41-05A
Y91M-00411.....D41-05A

DELCO

1110021.....D61-06A
1110060.....D61-06A
1110305.....D61-06A
1110306.....D41-05A
1110402.....D41-05A
1110420, 23.....D41-05A
1111310.....D41-05A
1111356.....D41-05A
1111428.....D41-05A
1111429.....D61-06A
1111432.....D41-05A
1111576.....D41-05A
1111620.....D61-06A
1111700.....D41-01A
1111712.....D41-05A
1111716, 17.....D41-05A
1111728.....D61-06A
1111769.....D61-12A
1111870.....D61-12A
1111895.....D61-06A
1111913.....D61-06A
1112461.....D61-19B
1112508.....D61-06A
1112552.....D61-06A
1112567.....D61-06A
1112604.....D41-05A
1112628.....D61-06A
1112637.....D41-05A
1112672.....D61-06A
1112673.....D41-05A
1112685.....D41-01A
1112789.....D41-05A

DUCELLIER

R287D83.....D061601

MALLORY

YL-664A.....D41-01A

PRESTOLITE

IAD-4029, A.....D41-05A
IAD-4033.....D61-06A
IAD-6002-1F.....D61-06A
IAD-6003-2H.....D41-05A
IAD-6004-1E.....D41-05A

**Original
Dist. No.** **PerTronix
Dist. No.**

PRESTOLITE

IAD-6004-2F, N.....D41-09B
IAD-6004-2P.....D41-10B
IAD-6006-1.....D61-06A
IBT-4101H.....D41-05A
IBT-4105A.....D41-01A
IBT-4105B.....D41-05A
IBT-4106, E.....D41-27A
IBT-4106A.....D41-28A
IBT-4106B, C, D.....D41-26A
IBT-4201.....D21-11A
IBT-4705.....D41-05A
IBT-4706.....D41-05A
IBT-6501D.....D61-06A
IBT-6702, 03.....D61-06A
IDJ-4008.....D41-05A
IDJ-4012.....D41-05A
IDJ-4013, 14.....D61-06A
IDN-4012.....D43-04B
IDN-4014.....D33-03A
IDU-4403A, B.....D41-01A
IDU-4406, 08.....D41-20A
IGB-4045A.....D41-05A
IGB-4304B.....D61-06A
IGC-4722.....D61-06A
IGC-6004-1.....D41-05A
IGW-4139, C.....D41-05A
IGW-4156A.....D41-05A
IGW-4408.....D11-18A
IGW-4412.....D21-12A
IGW-6581B.....D41-05A

WAUKESHA

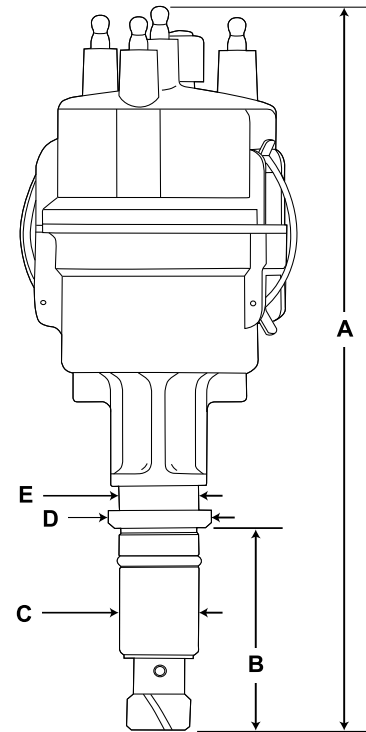
60262K.....D41-01A
69748A.....D41-01A

WISCONSIN

YF-10C.....D41-09B
YF-10D.....D41-10B
YF-35.....D21-12A
YF-40.....D21-12A
YF-42.....D21-11A
YF-45.....D41-09B
YF-45A.....D41-10B
YF-46.....D21-12A
YF-48.....D21-11A
YF-49.....D11-18A
YF-50, YF-50C.....D41-09B
YF-50A, YF-50D.....D41-10B
YF-50B, YF-50E.....D41-11B
YF-51, YF-51A.....D21-11A
YF-52, YF-52A.....D21-12A
YF-53.....D11-18A
YF-54, YF-54A.....D21-13A
YF-8C.....D11-18A

DISTRIBUTOR DIMENSIONS

Distributor Number	Dim. A	Dim. B	Dim. C	Dim. D	Dim. E	Drive	Rotation
D11-18A	6.30	2.67	1.06	----	----	----	CCW
D21-11A	8.29	2.85	1.06	----	----	GEAR	CW
D21-12A	7.88	2.46	1.06	----	----	GEAR	CCW
D23-02A	9.21	2.71	1.06	1.36	1.05	GEAR	CCW
D33-03A	9.51	2.71	1.06	1.36	1.05	GEAR	CCW
D33-03AM	9.51	2.71	1.06	1.36	1.05	GEAR	CCW
D41-01A	8.55	2.34	1.06	1.60	1.12	TANG	CW
D41-05A	7.58	1.31	1.06	1.36	1.05	TANG	CCW
D41-09B	7.88	2.62	1.06	----	----	GEAR	CCW
D41-10B	7.88	2.66	1.06	----	----	GEAR	CCW
D41-19A	8.80	2.53	1.06	1.60	1.12	TANG	CW
D41-20A	8.25	2.13	1.06	1.69	1.05	GEAR	CCW
D41-26A	8.25	2.13	1.06	1.69	1.05	GEAR	CCW
D41-27A	8.25	2.13	1.06	1.69	1.05	GEAR	CCW
D41-28A	8.25	2.13	1.06	1.69	1.05	GEAR	CCW
D43-04B	9.21	2.71	1.06	1.36	1.05	GEAR	CCW
D61-06A	7.64	1.31	1.06	1.36	1.05	TANG	CCW
D61-12A	7.64	1.31	1.06	1.36	1.05	TANG	CCW
D61-19B	7.64	1.31	1.06	1.36	1.05	TANG	CCW



SERVICE PARTS

Keep that engine in your hard working equipment running strong by using high quality service parts from PerTronix. We have a complete selection of service parts to fit our industrial distributors. These parts can also be used to service many original equipment distributors found in Wisconsin and Continental engines.



Dist. Number	Cap	Rotor	Cap Gasket	Dust Cover	Magnet Sleeve	Module	Drive	Advance Spring	Advance Weight	Vac. Advance
D11-18A	022-1101	N/A	027-001	N/A	026-101	025-004B	N/A	N/A	019-1001	N/A
D21-11A	022-1203	020-1002	027-001	021-001	026-202	025-005B	023-1002	018-1005	019-1003	N/A
D21-12A	022-1202	020-1002	027-001	021-001	026-201	025-004B	023-1003	018-1004	019-1001	N/A
D21-13A	022-1204	020-1002	027-001	021-001	026-203	025-004B	023-1003	018-1004	N/A	N/A
D23-02A	022-1201	020-1001	027-002	021-001	026-201	025-002B	023-1001	018-1001	019-1001	N/A
D33-03A	022-1301	020-1001	027-002	021-001	026-301	025-002B	023-1001	018-1001	019-1001	024-001
D33-03AM	022-1301	020-1001	027-002	021-001	026-301	025-006B	023-1001	018-1001	019-1001	N/A
D41-01A	022-1403	020-1003	027-001	021-001	026-401	025-008A	023-1004	018-1007	019-1003	N/A
D41-05A	022-1403	020-1003	027-001	021-001	026-401	025-003A	023-1005	018-1002	019-1001	N/A
D41-09B	022-1403	020-1002	027-001	021-001	026-401	025-003A	023-1002	018-1003	019-1001	N/A
D41-10B	022-1403	020-1002	027-001	021-001	026-401	025-003A	023-1002	018-1003	019-1001	N/A
D41-11B	022-1403	020-1002	027-001	021-001	026-401	025-003A	023-1012	018-1003	019-1001	N/A
D41-19A	022-1403	020-1003	027-001	021-001	026-401	025-007A	023-1006	018-1008	019-1003	N/A
D41-20A	022-1403	020-1003	027-001	021-001	026-401	025-003A	023-1007	018-1009	019-1001	N/A
D43-04B	022-1404	020-1001	027-002	021-001	026-401	025-001A	023-1001	018-1001	019-1001	024-001
D61-06A	022-1602	020-1003	027-001	021-001	026-601	025-003A	023-1005	018-1002	019-1001	N/A
D61-19B	022-1602	020-1003	027-001	021-001	026-601	025-007A	N/A	018-1008	019-1003	N/A